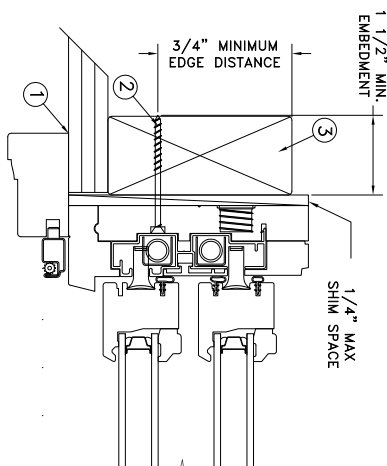
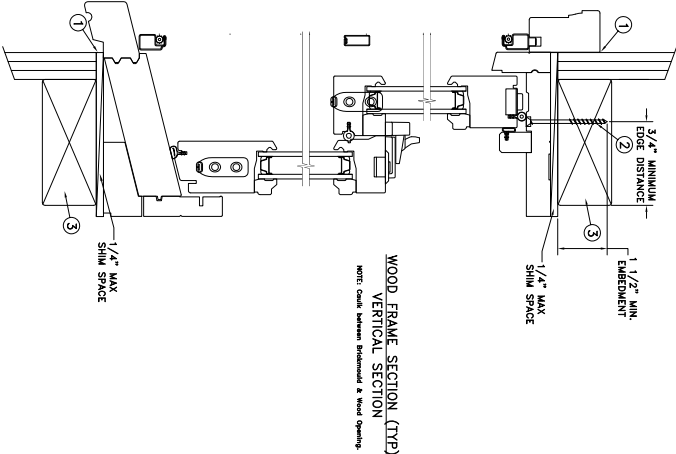


TYPICAL ELEVATION WITH FASTENER SPACING



THROUGH FRAME INSTALLATION

Max	Frame	DP	IMPACT
37	3/8 x 76	+50/-55	NO

Installation Notes:

1. Seal brickmould/frame to substrate.
2. Use #8 PH or greater fastener through the frame with sufficient length to penetrate a minimum of 1 1/2" into the wood framing. For 2x wood frame substrate (min. S.G. = 0.42)
3. Host structure (wood buck, masonry, steel) to be designed and anchored to properly transfer all loads to the structure. The host structure is the responsibility of the architect or engineer of record for the project of installation.

General Notes:

1. The product shown herein is designed, tested and manufactured to comply with the wind load criteria of the adopted International Building Code (IBC), the International Residential Code (IRC), the Florida Building Code (FBC) and the industry requirement for the stated conditions.
2. All glazing shall conform to ASTM E 1300.
3. At minimum, glazing shall be double strength annealed insulating glass.
4. Use structural or composite shims where required.

This schedule addresses only the fasteners required to anchor the window to achieve the rated design pressure and impact performance (where applicable) up to the size limitations noted. It is not intended as a guide to the installation process and does not address he sealing consideration that may arise in different wall conditions. For the complete installation procedure, see the instructions packaged with the window or go to www.jeld-wen.com/resources/installation.

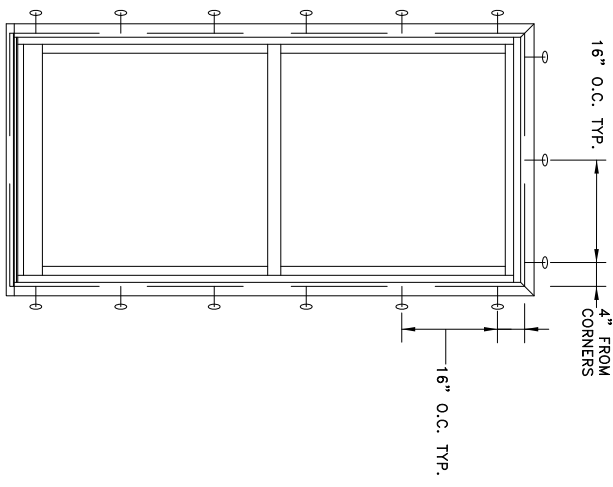
DISCLAIMER:

This drawing and its contents are confidential and are not to be reproduced or copied in whole or in part or used or disclosed to others except as authorized by JELD-WEN Inc.

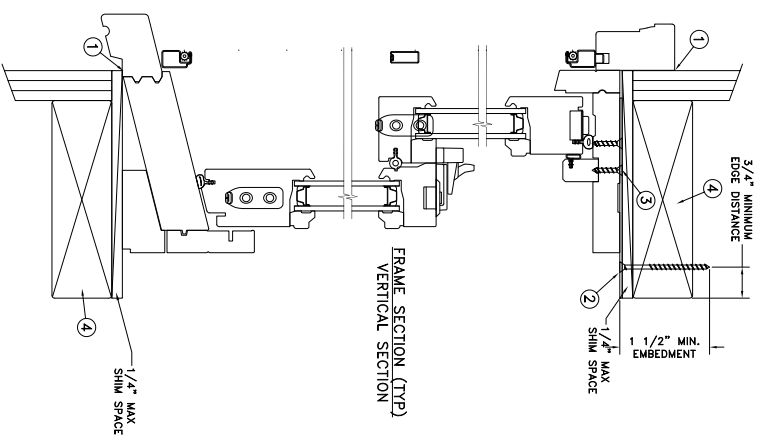
PROJECT ENGINEER:	DATE:	09/06/2017	PLANT NAME AND LOCATION:	Bend-OR
DRAWN BY:	SCALE:	NTS	CAD DWG. No.:	CustWDDH C&T
CHECKED BY:	TITLE:		REV:	A
APPROVED BY:			SHEET	
D.P.STOKES				
PART/PROJECT No.:				
D010786				
IDENTIFIER No.:				
NCTL-110-17-078				

JELD-WEN 3737 LAKEPORT BLVD.
KIAMATH FALLS OR, 97601
PHONE: (800) 535-3936

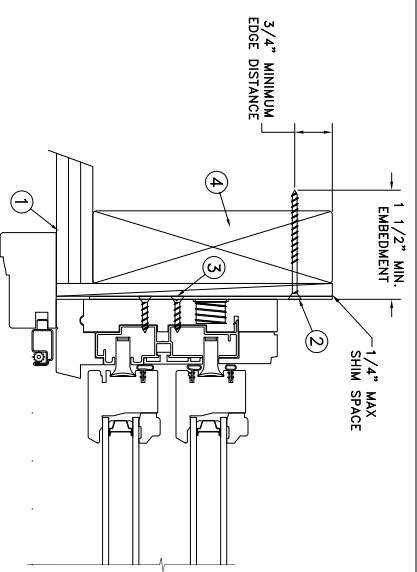
Custom Wood Double Hung



TYPICAL ELEVATION WITH FASTENER SPACING



FRAME SECTION (TYP)
VERTICAL SECTION



FRAME JAMB SECTION (TYP)
HORIZONTAL SECTION

MASONRY STRAP
INSTALLATION

Max Frame	DP	IMPACT
37 3/8 x 76	+50/-55	NO

Installation Notes:

1. Seal brickmould/frame to substrate.
2. Use 2-#8 PFH or larger fasteners through masonry strap with sufficient length to penetrate a minimum of 1 1/2" into the masonry or buck. For concrete (min. fc = 3000 psi) or masonry substrate (CMU shall adhere to ASTM C90).
3. Use 2-#8 PFH or larger fasteners through masonry strap into jamb without penetrating through the jamb into product causing visability or collateral damage to product.
4. Host structure (wood buck, masonry, steel) to be designed and anchored to properly transfer all loads to the structure. The host structure is the responsibility of the architect or engineer of record for the project of installation.

General Notes:

1. The product shown herein is designed, tested and manufactured to comply with the wind load criteria of the adopted International Building Code (IBC), the International Residential Code (IRC), the Florida Building Code (FBC) and the Industry requirement for the stated conditions.
2. All glazing shall conform to ASTM E1300.
3. At minimum, glazing shall be double strength annealed insulating glass.
4. Use structural or composite shims where required.

This schedule addresses only the fasteners required to anchor the window to achieve the rated design pressure and impact performance (where applicable) up to the size limitations noted. It is not intended as a guide to the installation process and does not address he sealing consideration that may arise in different wall conditions. For the complete installation procedure, see the instructions packaged with the window or go to www.jeld-wen.com/resources/installation.

DISCLAIMER:
This drawing and its contents are confidential and are not to be reproduced or copied in whole or in part or used or disclosed to others except as authorized by JELD-WEN Inc.

PROJECT ENGINEER:	DATE:	3737 LAKEPORT BLVD.	
DRAWN BY:	09/06/2017	KIAMATH FALLS OR, 97601	
J.HAWKINS	SCALE:	PHONE: (800) 535-3936	
CHECKED BY:	NTS		
C.ABBOTT	TITLE:	Custom Wood Double Hung	
APPROVED BY:			
D.STOKES			
PART/PROJECT No.:			
D010786			
IDENTIFIER No.	PLANT NAME AND LOCATION:	CAD DWG. No.:	REV:
NCTL-110-17-078	Bend-OR	CustWDDH C&T	A
			SHEET